



General Information

C type is the CBE, dedicated to R744 (CO₂), and compatible with heat pump and refrigeration system. The model has three types, including 70/100/140 BAR. The compact design plus outstanding thermal transfer efficiency and low pressure drop characterize C series. C021 can sustain 100BAR and afford the pressure caused by R744 as thermal media. This capacity delights the COP value and results in "0 "ODP to protect the environment where we live. C021 can work well with pre-cooler and Industries

HVAC, Refrigeration, Heat Pump

Connection (up to)



Male Thread

Female Thread

Applications

Evaporator, Condenser, De-superheater/Subcooler, Economizer,
Pre-cooler/Pre-heater



Solder

**Depends on working
condition**

Max. Heat Transfer Capacity



Specifications

Standard Materials

Cover Plates	Stainless Steel
Connections	Stainless Steel
Plates	Stainless Steel
Braze Material	Copper

Standard Data

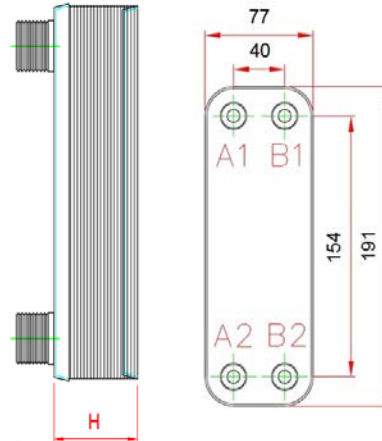
Max. working temperature °C	200
Max. working pressure (bar)	100
Min. test pressure (bar)	143
Max. flow rate (LPM)	N/A
Max. number of plates (N)	80
Plate Heat Transfer Area (M ²)	0.01109 m ²
Thickness (mm) - H	9.5+1.1*N
Weight (kg)	1.14+0.042*N

(without connection)

N: Number of Plates

Material disclaimer

This information is intended to serve as a reference and is not subject to guarantee. Precise inquiries are necessary for accurate information regarding performance specifications and suitability under specific working conditions. Responsibility rests on purchasers to decide whether products are appropriate for use before purchasing. Kaori is not liable for corrosion of products and/or other equipment from use of products. Kaori reserves the right to make changes to this information without prior notice. Third party approvals and certifications are available upon request.



(size: mm)

Kaori Heat Treatment Co., Ltd. Innovation • Quality • Responsibility • Honor