



PROSİSTEK
Profesyonel Sistem Teknolojileri



H050



General Information

H series are made of heat resistance stainless steel, able to sustain up to 900C. It can be applied in fuel cell, the new generation energy and chemical industry. It is pervasively used to gas heating or cooling.

Industries

Waste Heat Recovery, Fuel Cell, Food Processing

Connection (up to)



Male Thread **Female Thread**



Solder

Depends on working condition

Applications

cooler

Max. Heat Transfer Capacity

N/A

Specifications

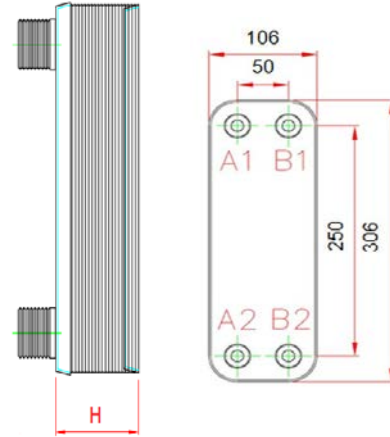
Standard Materials

Cover Plates	Stainless Steel
Connections	Stainless Steel
Plates	Stainless Steel
Braze Material	Nickel

Standard Data

Max. working temperature °C	900
Max. working pressure (bar)	10
Min. test pressure (bar)	15
Max. flow rate (LPM)	N/A
Max. number of plates (N)	80
Plate Heat Transfer Area (M ²)	0.0255 m ²
Thickness (mm) - H	10.0+2.40*N
Weight (kg)	1.54+0.137*N

N: Number of Plates



(size: mm)

Material disclaimer

This information is intended to serve as a reference and is not subject to guarantee. Precise inquiries are necessary for accurate information regarding performance specifications and suitability under specific working conditions. Responsibility rests on purchasers to decide whether products are appropriate for use before purchasing. Kaori is not liable for corrosion of products and/or other equipment from use of products. Kaori reserves the right to make changes to this information without prior notice. Third party approvals and certifications are available upon request.

Kaori Heat Treatment Co., Ltd. Innovation • Quality • Responsibility • Honor

Prosistek Mühendislik Endüstri San. Ve Tic. Ltd. Şti.

Hacı Halil Mah. 1207. Sok. No:1/5
Gebze/Kocaeli - Turkey

Tel : +90 553 957 45 96

info@prosistek.com.tr
www.prosistek.com.tr