

# K025



PROSİSTEK  
Profesyonel Sistem Teknolojileri



## General Information

K025 makes the character such as compact size, high efficiency in thermal exchange realistic. K025 can be used as not only condenser and evaporator but also subcooler or de-super heater which is mainly applied in residential or small size of commercial HVAC and refrigeration facility.

## Industries

HVAC, Heat pump, Chiller, Oil cooler, Processing cooling, heating

## Connection (up to)



**Male Thread**  
PT 3/4"

**Female Thread**  
PT 1/2"



**Solder**  
5/8"

## Applications

Evaporator/Condenser, De-superheater/Subcooler, Economizer,  
Oil Cooler, Pre-cooler/Pre-heater

## Max. Heat Transfer Capacity

3.52 kW

## Specifications

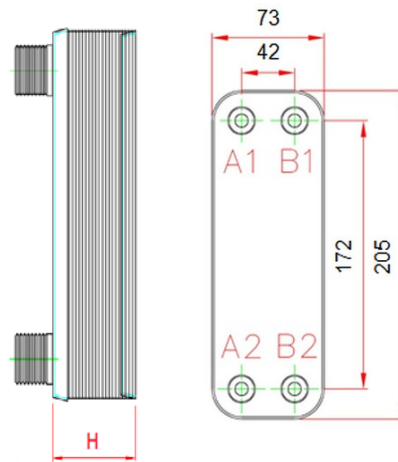
### Standard Materials

Cover Plates  
Connections  
Plates  
Braze Material

Stainless Steel  
Stainless Steel  
Stainless Steel  
Copper

### Standard Data

Max. working temperature °C	200
Max. working pressure (bar)	30
Min. test pressure (bar)	43
Max. flow rate (LPM)	80
Max. number of plates (N)	60
Plate Heat Transfer Area (M <sup>2</sup> )	0.012 m <sup>2</sup>
Thickness (mm) - H	6.70+2.27*N
Weight* (kg)	0.48+0.04*N



(size: mm)

(without connection)  
N: Number of Plates

Material disclaimer

This information is intended to serve as a reference and is not subject to guarantee. Precise inquiries are necessary for accurate information regarding performance specifications and suitability under specific working conditions. Responsibility rests on purchasers to decide whether products are appropriate for use before purchasing. Kaori is not liable for corrosion of products and/or other equipment from use of products. Kaori reserves the right to make changes to this information without prior notice. Third party approvals and certifications are available upon request.

Kaori Heat Treatment Co., Ltd. Innovation • Quality • Responsibility • Honor

## Prosistek Mühendislik Endüstri San. Ve Tic. Ltd. Şti.

Hacı Halil Mah. 1207. Sok. No:1/5  
Gebze/Kocaeli - Turkey

Tel : +90 553 957 45 96

info@prosistek.com.tr  
www.prosistek.com.tr