

# K200



PROSİSTEK  
Profesyonel Sistem Teknolojileri



## General Information

K200 is the CBE heat exchanger dedicated to the fluid which has two-phase transformation, and it has perfect compatibility with various kinds of refrigerant. Despite high thermal efficiency, K200 can also maintain the pressure drop in the level which the system can tolerate and function. K200 is featured in hydraulic field, such as heat recovery and oil cooling or HVAC such as evaporator, condenser, economizer, Con/Evap.

## Industries

HVAC, Heat pump, Chiller, Oil cooler, Processing cooling, heating

## Connection (up to)



**Male Thread**  
PT 2-1/2"



**Female Thread**  
PT 1 1/2"



**Solder**  
2-1/8"

## Applications

Evaporator/Condenser, De-superheater/Subcooler, Economizer,  
Oil Cooler, Pre-cooler/Pre-heater

## Max. Heat Transfer Capacity

140.64 KW

## Specifications

### Standard Materials

Cover Plates	Stainless Steel
Connections	Stainless Steel
Plates	Stainless Steel
Braze Material	Copper

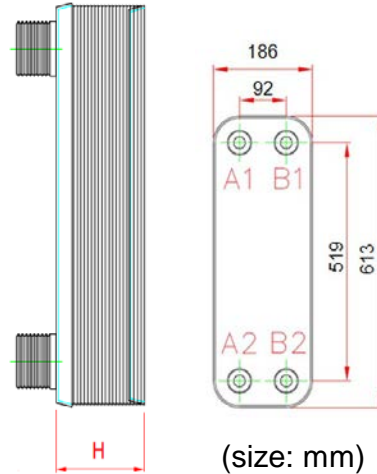
### Standard Data

Max. working temperature °C	200 C
Max. working pressure (bar)	30
Min. test pressure (bar)	43
Max. flow rate (LPM)	740
Max. number of plates (N)	220
Plate Heat Transfer Area (M <sup>2</sup> )	0.0945 m <sup>2</sup>
Thickness (mm) - H	14.0+2.40*N
Weight (kg)	6.89+0.404*N

(without connection)  
N: Number of Plates

### Material disclaimer

This information is intended to serve as a reference and is not subject to guarantee. Precise inquiries are necessary for accurate information regarding performance specifications and suitability under specific working conditions. Responsibility rests on purchasers to decide whether products are appropriate for use before purchasing. Kaori is not liable for corrosion of products and/or other equipment from use of products. Kaori reserves the right to make changes to this information without prior notice. Third party approvals and certifications are available upon request.



Kaori Heat Treatment Co., Ltd. Innovation • Quality • Responsibility • Honor

## Prosistek Mühendislik Endüstri San. Ve Tic. Ltd. Şti.

Hacı Halil Mah. 1207. Sok. No:1/5  
Gebze/Kocaeli - Turkey

Tel : +90 553 957 45 96

info@prosistek.com.tr  
www.prosistek.com.tr