

# K210



## General Information

K210 is suitable for the thermal exchange between liquid. Despite larger flow channel and lower pressure drop, the connection in large diameter can be well fitted in residential sanitary system, regional boiler and chiller heating and second heating&cooling exchange in HVAC system.

## Industries

HVAC, Heat pump, Chiller, Oil cooler, Processing cooling, heating

## Connection (up to)



**Male Thread**  
PT 3"



**Female Thread**  
PT 2-1/2"



**Solder**  
3-1/8"

## Applications

Evaporator/Condenser, De-superheater/Subcooler, Economizer,  
Oil Cooler, Pre-cooler/Pre-heater

Max. Heat Transfer Capacity  
not applicable for refrigerant

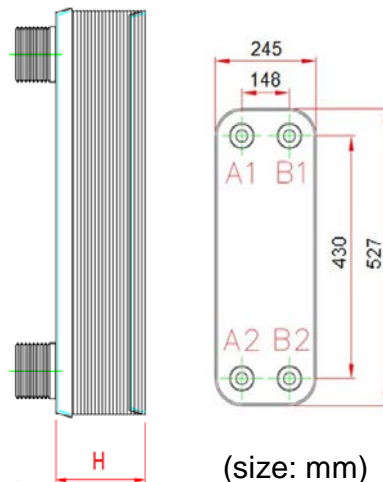
## Specifications

### Standard Materials

|                |                 |
|----------------|-----------------|
| Cover Plates   | Stainless Steel |
| Connections    | Stainless Steel |
| Plates         | Stainless Steel |
| Braze Material | Copper          |

### Standard Data

|  |                       |
|--|-----------------------|
| Max. working temperature °C                | 200 C                 |
| Max. working pressure (bar)                | 16                    |
| Min. test pressure (bar)                   | 23                    |
| Max. flow rate (LPM)                       | 1240                  |
| Max. number of plates (N)                  | 220                   |
| Plate Heat Transfer Area (M <sup>2</sup> ) | 0.1036 m <sup>2</sup> |
| Thickness (mm) - H                         | 11.5+2.85*N           |
| Weight (kg)                                | 6.68+0.465*N          |
| (without connection)                       |                       |
| N: Number of Plates                        |                       |



### Material disclaimer

This information is intended to serve as a reference and is not subject to guarantee. Precise inquiries are necessary for accurate information regarding performance specifications and suitability under specific working conditions. Responsibility rests on purchasers to decide whether products are appropriate for use before purchasing. Kaori is not liable for corrosion of products and/or other equipment from use of products. Kaori reserves the right to make changes to this information without prior notice. Third party approvals and certifications are available upon request.