



PROSİSTEK
Profesyonel Sistem Teknolojileri



R050



General Information

R050 is the newly-developed BPHE dedicated to environment-friendly and high thermal transferring refrigerant such as R32,R410a, R134a. Its 10% higher efficiency than conventional BPHE and lightweight significantly reduce the carbon emission. R050 provides the heating or cooling system developer's expected performance of evaporator and condenser.

Industries

HVAC, Refrigeration, Heat Pump, Chiller

Connection (up to)



Male Thread
PT 1-1/4"

Female Thread
PT 1"

Applications

Evaporator, Condenser, De-superheater/Subcooler, Economizer,
Pre-cooler/Pre-heater



Solder
1-1/8"

Max. Heat Transfer Capacity

35.16 kW

Specifications

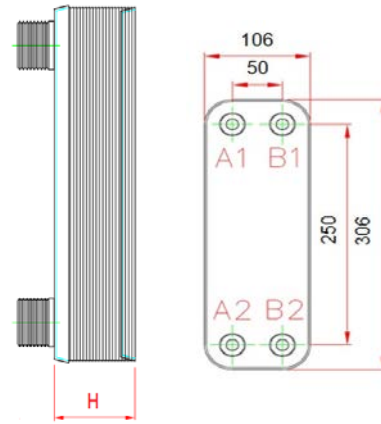
Standard Materials

Cover Plates
Connections
Plates
Braze Material

Stainless Steel
Stainless Steel
Stainless Steel
Copper

Standard Data

Max. working temperature °C	200
Max. working pressure (bar)	30
Min. test pressure (bar)	43
Max. flow rate (LPM)	240
Max. number of plates (N)	120
Plate Heat Transfer Area (M ²)	0.0255 m ²
Thickness (mm) - H	10.0+1.80*N
Weight (kg)	1.32+0.089*N



(size: mm)

(without connection)
N: Number of Plates

Material disclaimer

This information is intended to serve as a reference and is not subject to guarantee. Precise inquiries are necessary for accurate information regarding performance specifications and suitability under specific working conditions. Responsibility rests on purchasers to decide whether products are appropriate for use before purchasing. Kaori is not liable for corrosion of products and/or other equipment from use of products. Kaori reserves the right to make changes to this information without prior notice. Third party approvals and certifications are available upon request.

Kaori Heat Treatment Co., Ltd. Innovation • Quality • Responsibility • Honor

Prosistek Mühendislik Endüstri San. Ve Tic. Ltd. Şti.

Hacı Halil Mah. 1207. Sok. No:1/5
Gebze/Kocaeli - Turkey

Tel : +90 553 957 45 96

info@prosistek.com.tr
www.prosistek.com.tr